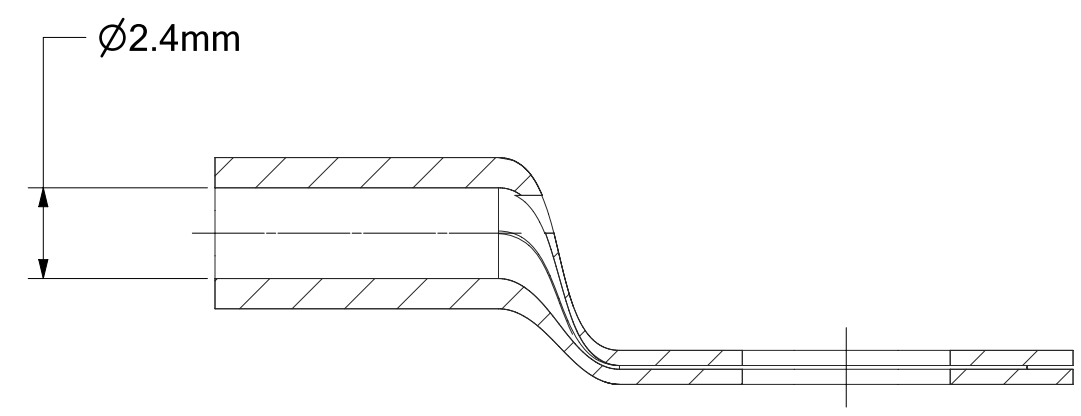
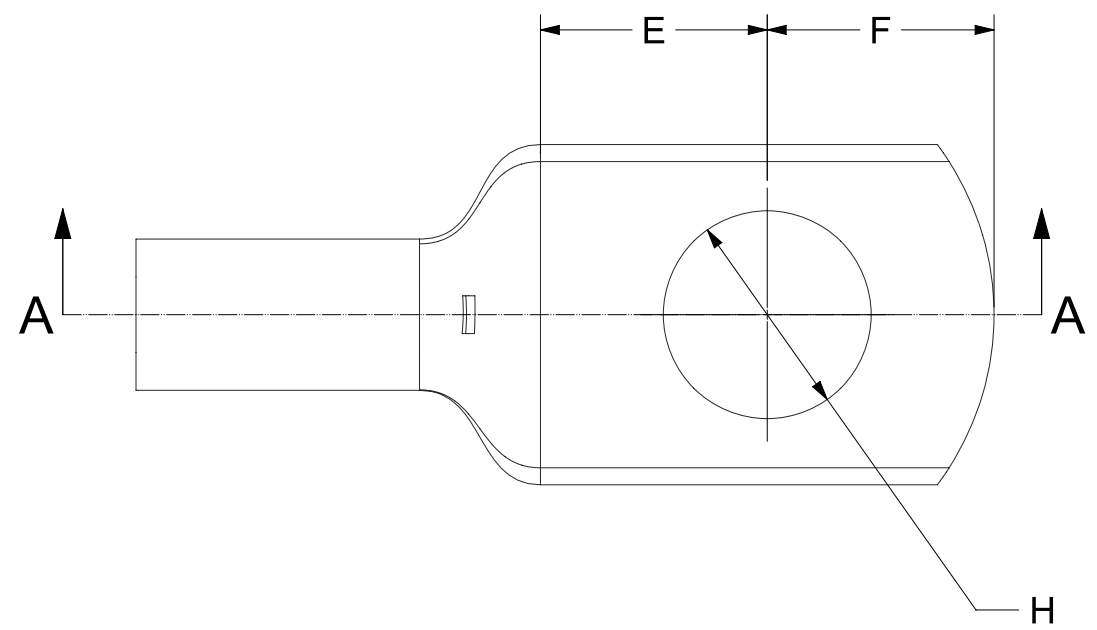
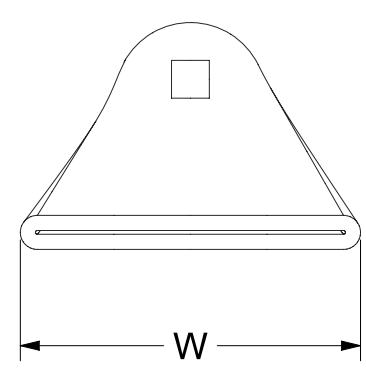


REVISION HISTORY	
1	Original Concept
2	Table update
3	Table update



SECTION A-A



PART NO.	H (mm)	E (mm)	F (mm)	W (mm)
TCHD-2.5-3	3.5	6.0	6.0	8.0
TCHD-2.5-4	4.5	6.0	6.0	8.0
TCHD-2.5-5	5.5	6.0	6.0	9.0
TCHD-2.5-6	6.5	6.0	6.0	10.0
TCHD-2.5-8	8.5	8.0	7.0	13.0

UOS - LINEAR TOLERANCE PERMISSABLE DEVIATIONS FOR SIZE RANGE:
Tolerances according to DIN ISO 2768 (V)

DIMS IN MM	0.5 to 3	>3 to 6	>6 to 30	>30 to 120	>120 to 400	>400 to 1000	>1000 to 2000	>2000 to 4000
	-	±0.5	±1.0	±1.5	±2.5	±4.0	±6.0	±8.0

TOTAL CONNECTIONS 2009
 Total Connections 2009 LTD
www.tc2009.co.uk
sales@tc2009.co.uk
 Tel 01249 812 707

Drawing No. TCDR1909
 Part No. TCHD-2.5-RANGE
 Material. CW024A (C106) COPPER
 Finish. 5MICRON ELECTRO TIN PLATED
 SIZE A3 Date 21/10/2021 Created By: Dan Hewlett
 SCALE 5:1 SHEET 1 of 1
 REV 3